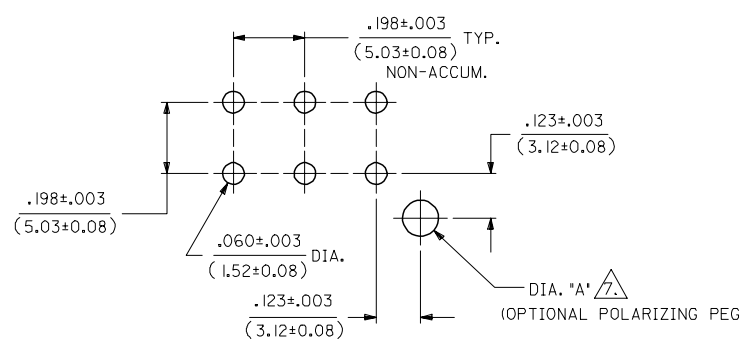
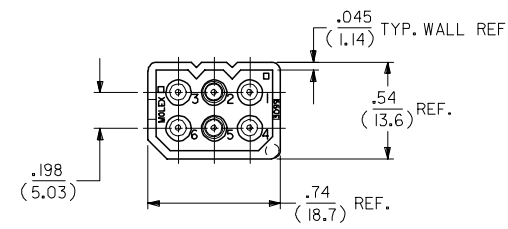
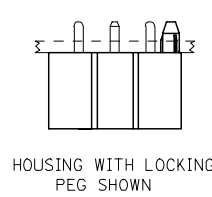
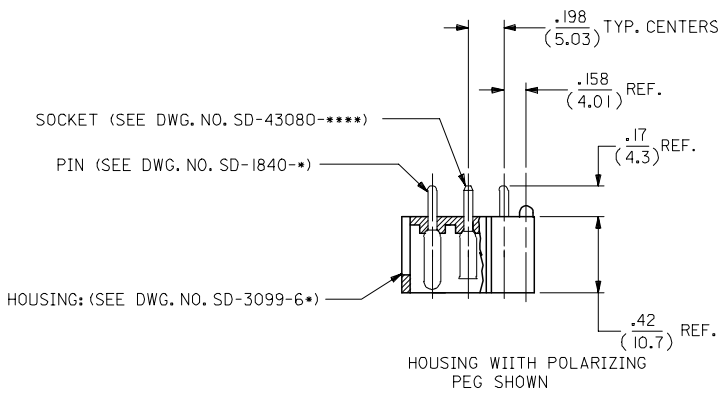


	13	12	11	10	9	8	7	6	5	4	3	2	1				
	ORDER NO.	ENG. NUMBER	TERMINAL LOCATION (SEE CHART)	MAT'L	PEG TYPE	PLATING (SEE CHART)	DIA 'A'	TERMINAL LOCATION CHART (M=MALE, F=FEMALE, B=BLANK)						PLATING CODE	PLATING		
J	10-18-1061	A-3099-P6A	A	V-0	POLARIZING	B	.100±.005 (2.54±0.13)	TERMINAL LOCATION CODE	CIRCUIT LOCATION						A	UNPLATED	
	10-18-1063	A-3099-P6B	B	V-0	POLARIZING	B			1	2	3	4	5	6	PINS ONLY: OVERALL TIN: .000200/(0.00508) MIN. OVER COPPER: .000100/(0.00254) MIN. SOCKETS ONLY: OVERALL TIN: .000050/(0.00127) MIN. OVER NICKEL: .000050/(0.00127) MIN.		
	38-00-0589	A-3099-P6C	C	V-0	POLARIZING	B		A	M	M	M	M	M	M			
	38-00-0590	A-3099-P6D	D	V-0	POLARIZING	B		B	M	F	M	M	F	M			
I	10-18-1064	A-3099-0605	E	V-0	POLARIZING	B		C	F	M	M	M	F	M			
	10-18-1065	A-3099-0607	F	V-0	POLARIZING	B		D	M	M	M	F	M	M			
				LOCKING	B	.103 +.003/-0.002 (2.62 + 0.08/-0.05)	E	M	M	M	M	M	F				
							F	F	M	M	M	M	M				



- MATERIAL:
HOUSING: UNFILLED POLYESTER, 94V-0, COLOR-BLACK
PIN TERMINAL: CARTRIDGE BRASS
SOCKET TERMINAL: PHOSPHOR BRONZE
- FINISH: SEE TABLE
- PRODUCT SPECIFICATION: N/A
- PACKAGING SPECIFICATION: N/A
- MATES WITH MOLEX 1490 RECEPTACLES AND .093(12.36) SERIES TERMINALS
- ASSEMBLIES TO BE MOUNTED ON SUPPORTED EDGE OF P.C. BOARD
- ONLY REQUIRED WHEN USING PARTS WITH OPTIONAL POLARIZING OR LOCKING PEGS

RECOMMENDED PC BOARD HOLE LAYOUT (SCALE 4:1)

UPDATE PLATING FC NO: UCP2006-2825 DRAWN: P. DIDER 2006/06/08 CHKD: AELHAG 2006/06/09 APPR: FSM TH 2006/06/12	QUALITY SYMBOLS =0 =0	GENERAL TOLERANCES (UNLESS SPECIFIED)		DIMENSION STYLE		SCALE	DESIGN UNITS	THIRD ANGLE PROJECTION	
		mm	INCH	IN/MM	INCH	2:1	INCH		
M1	REVISION	4 PLACES ± --- ± ---		DRAWN BY	DATE	CONNECTOR ASSEMBLY ENCLOSED WAFER 6 CIRCUIT			
		3 PLACES ± --- ± .010		KBW	1989/05/25				
		2 PLACES ± 0.25 ± .014		CHECKED BY	DATE	MOLEX MOLEX INCORPORATED			
		1 PLACE ± 0.36 ± ---		RW	1989/05/25				
		ANGULAR ±1/2°		APPROVED BY	DATE	MATERIAL NO.		DOCUMENT NO.	
				RAS	1989/05/25	SEE CHART		SDA-3099-6**	
				DRAFT WHERE APPLICABLE MUST REMAIN WITHIN DIMENSIONS		SIZE C		SHEET NO. 1 OF 1	